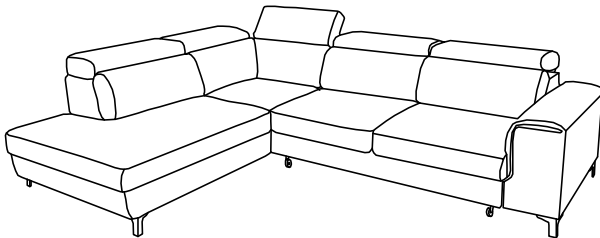
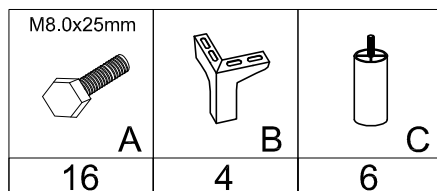
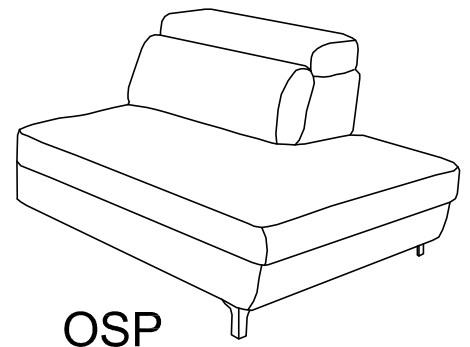
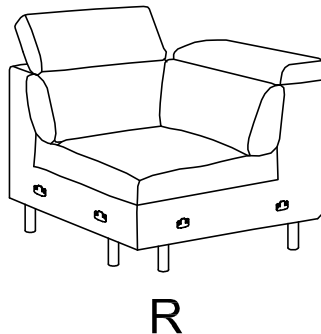
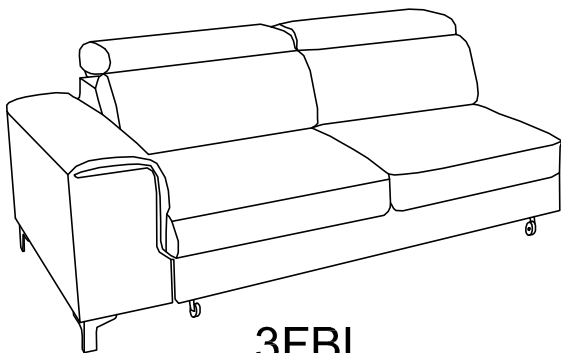
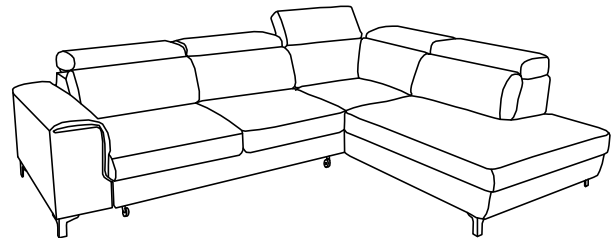


VERSION - L

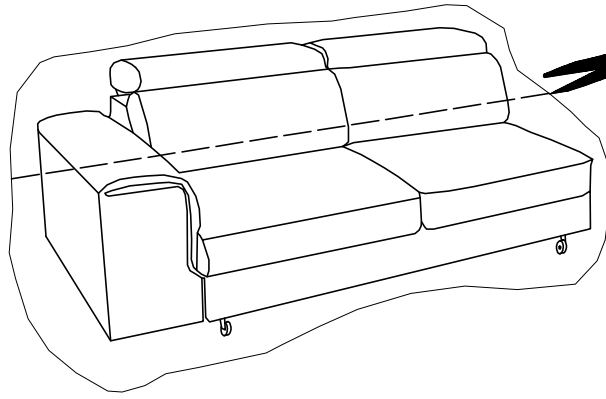


VERSION - R



1

3FBL



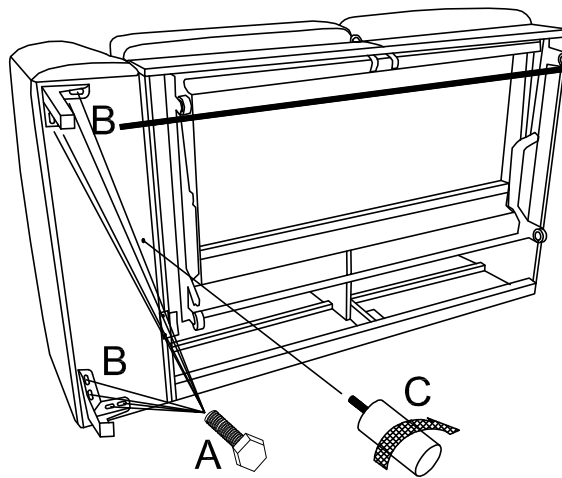
2

3FBL

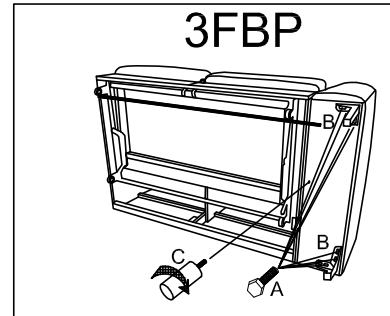


13

M8.0x25mm		
	A	C
8		1
	B	
2		

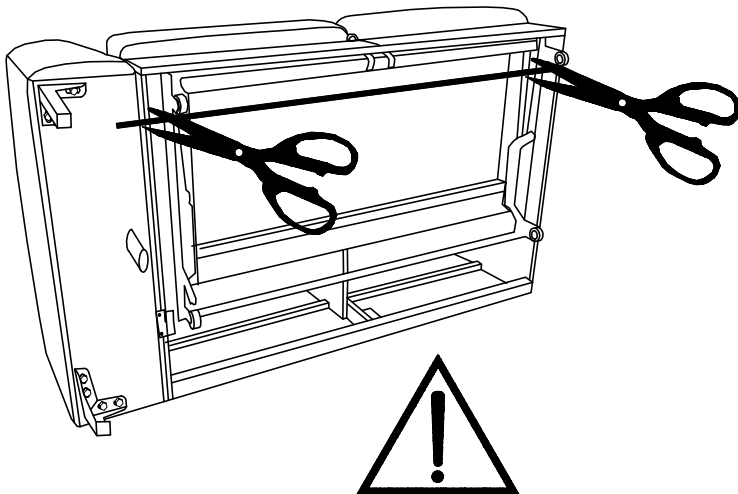


90°



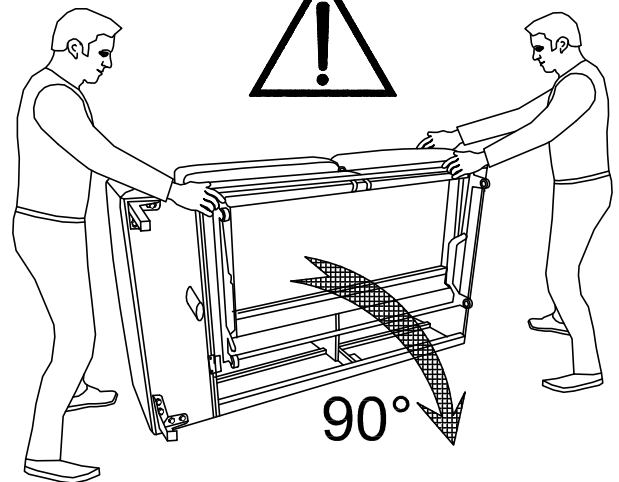
3

3FBL

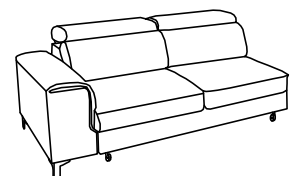


4

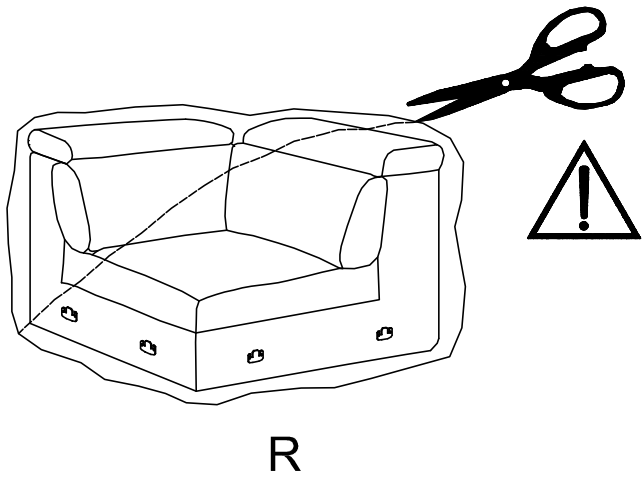
3FBL



90°

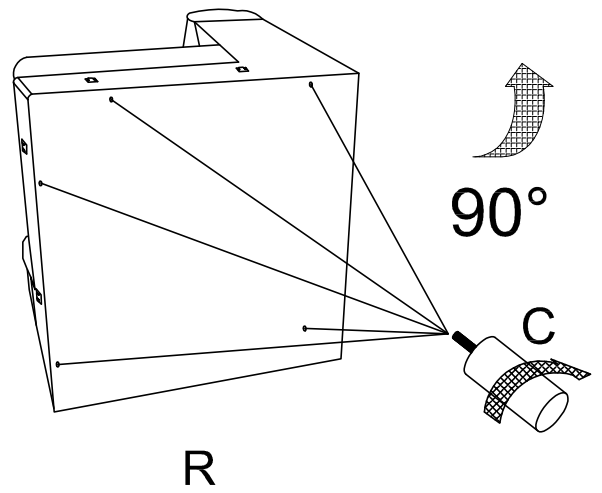
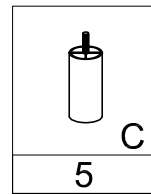


5



R

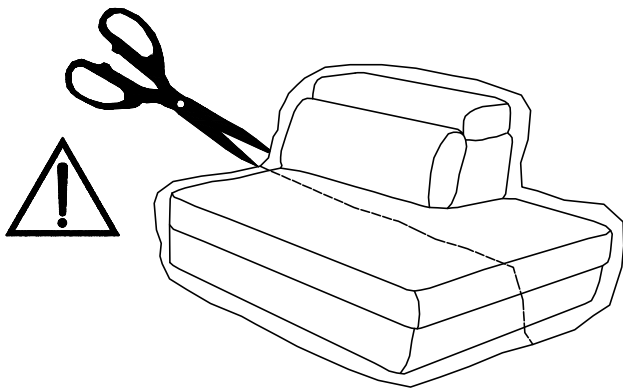
6



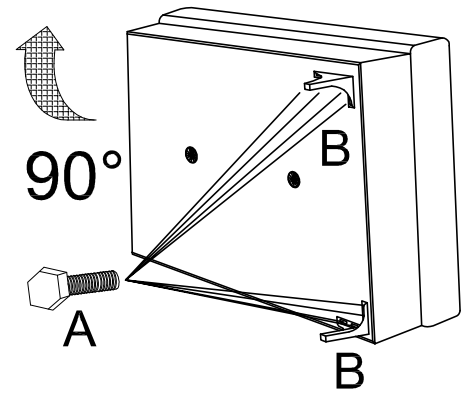
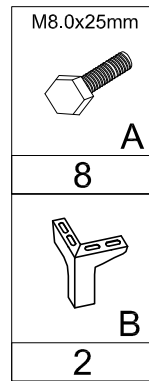
R

7

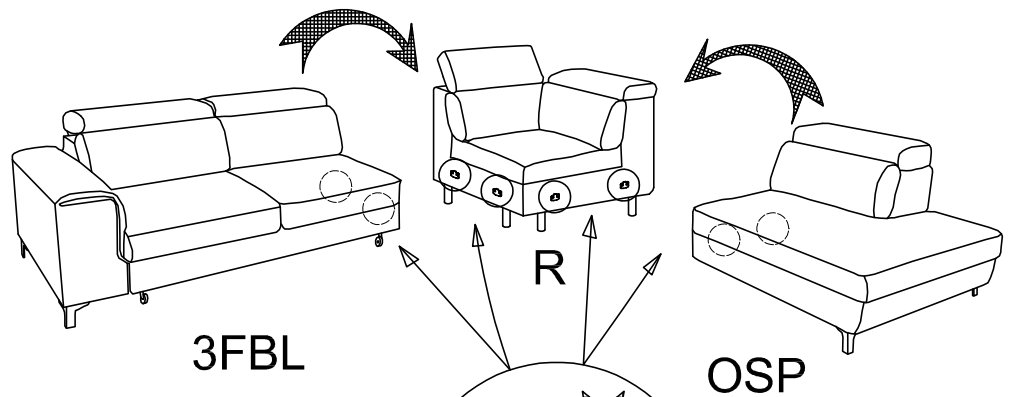
OSP



8



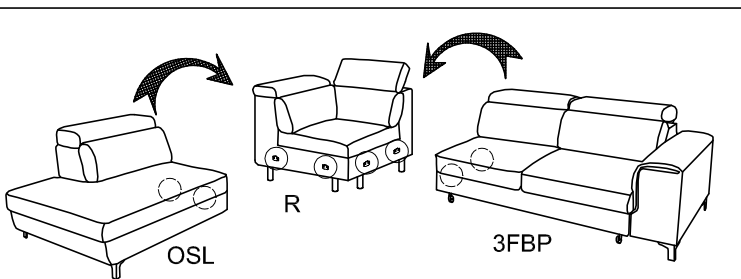
9



3FBL

R

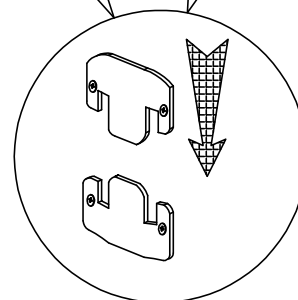
OSP



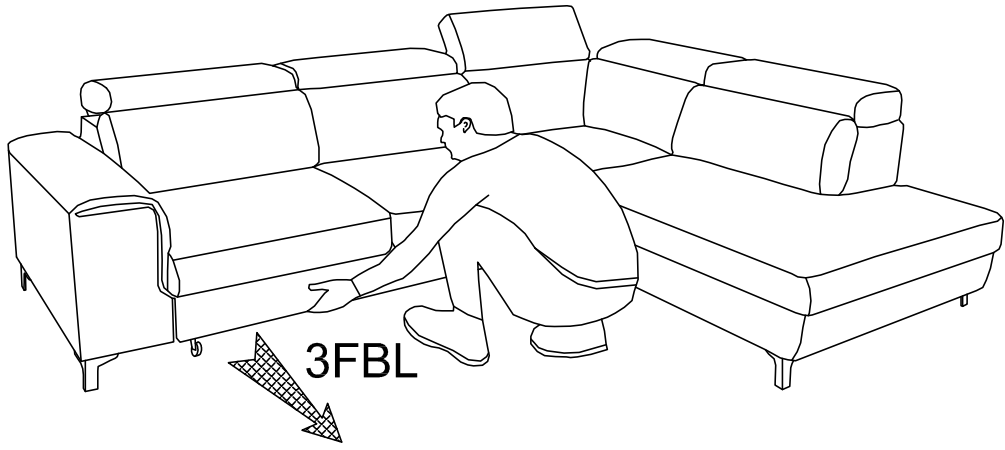
OSL

R

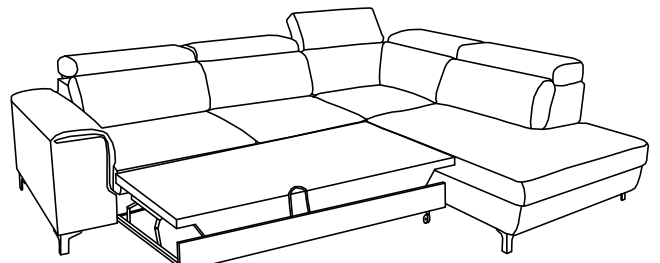
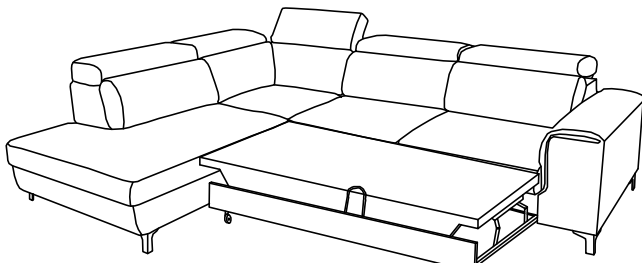
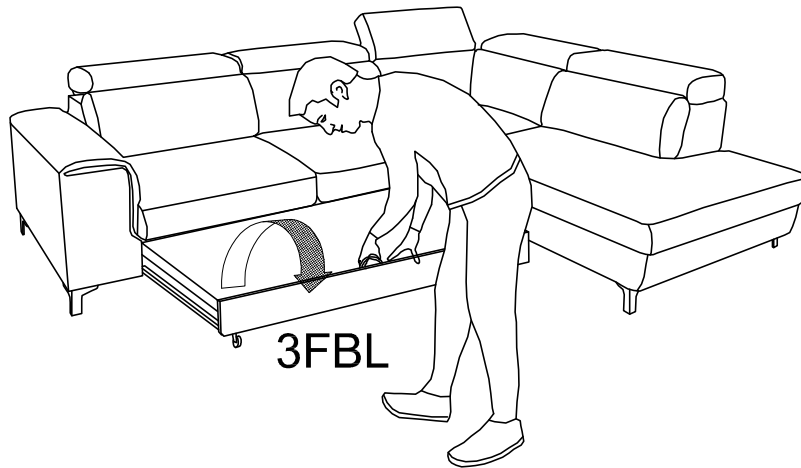
3FBP



10



11



12

